



PRODUCT GUIDE 2023





**OVER 37,000 SKU'S
TO CHOOSE FROM**

Contents

About.....	2 - 3
Bearings	4 - 5
Automotive/4x4.....	6 - 11
Trailer & Towing.....	12 - 13
Agricultural	14 - 15
Power Transmission.....	16 - 17
Paint & Panel.....	18
Industrial Supplies & Consumables	19
Lubrication	20
Fasteners	21
Adhesives	22
Workshop Supplies.....	23
Tools and Abrasives	24 - 25
Safety and Welding Consumables	26 - 27
Tie Downs & Load Restraints	28
Notes.....	29

A close-up photograph of several different types of bearings, including ball bearings and roller bearings, arranged on a dark surface. The lighting highlights the metallic textures and the precision engineering of the components.

A TRUE **ONE STOP SHOP
FOR THE AUTOMOTIVE,
INDUSTRIAL, MAINTENANCE
AND AGRICULTURAL
SECTORS.**

About Bearing Wholesalers

With over 37,000 different parts, Bearing Wholesalers is a true one stop shop for the automotive, industrial, maintenance and agricultural sectors servicing customers in Australia, NZ and many other countries around the world.

As an authorised distributor of many leading global brands such as Timken, Jtekt (Koyo), NSK, FBJ, GMB, Toyo, Loctite and CRC to name a few – Bearing Wholesalers is able to offer a large range of bearings, seals, power transmission components, lubrication, fasteners, chemical sealants, adhesives, tools and equipment, consumables, safety gear, cleaning products and components amongst many other products.

Bearings Wholesalers private label brand, BW, provides a trusted solution to keep you in motion, providing the ultimate and most reliable Bearing & Driveline solutions.



Wheel bearings provide a point of connection between the hub and the axle or driveshaft of the vehicle, allowing them to move independently whilst reducing friction to ensure smooth and efficient rotation of wheels.

Bearing Wholesalers stock wheel bearing kits for an extensive range of passenger vehicles, 4WDs, commercial vehicles, industrial and all types of trailers. All Bearing Wholesalers wheel bearing kits are manufactured using high quality materials and components to ensure a smooth and reliable operating life.

Key brands include Timken, Jtekt (Koyo), NSK, HCH, FBJ, KSM, LDK, NBS, FAG and Nachi.



Spherical Roller

- High load capacity and accommodating of misalignment
- Long service life and over 100 sizes available
- To suit industrial applications



Wide Inner Ring Bearings

- Designed for use with corresponding housings
- Over 100 sizes available
- To suit industrial applications



Ball Bearings

- Over 2500 sizes available
- Low friction, low noise and low vibration
- To suit automotive and industrial applications



Tapered Roller

- Low friction, accommodates axial and radial loads
- Over 1000 applications available
- To suit automotive and industrial applications



Precision Bearings

- Minimal vibration, noise, and friction with high tolerance
- For high accuracy, speed, and performance applications
- To suit industrial applications



Housings and Adaptor Sleeves

- Metric and imperial sizes to suit various industrial applications
- Available in cast iron and stainless steel



Cylindrical Roller

- Designed for heavy radial loads and high speed
- Over 100 sizes available
- To suit automotive and industrial applications



Needle Roller

- Over 1000 sizes available
- Disperses load over length of roller to extend bearing life
- To suit automotive and industrial applications

LOST YOUR BEARINGS?

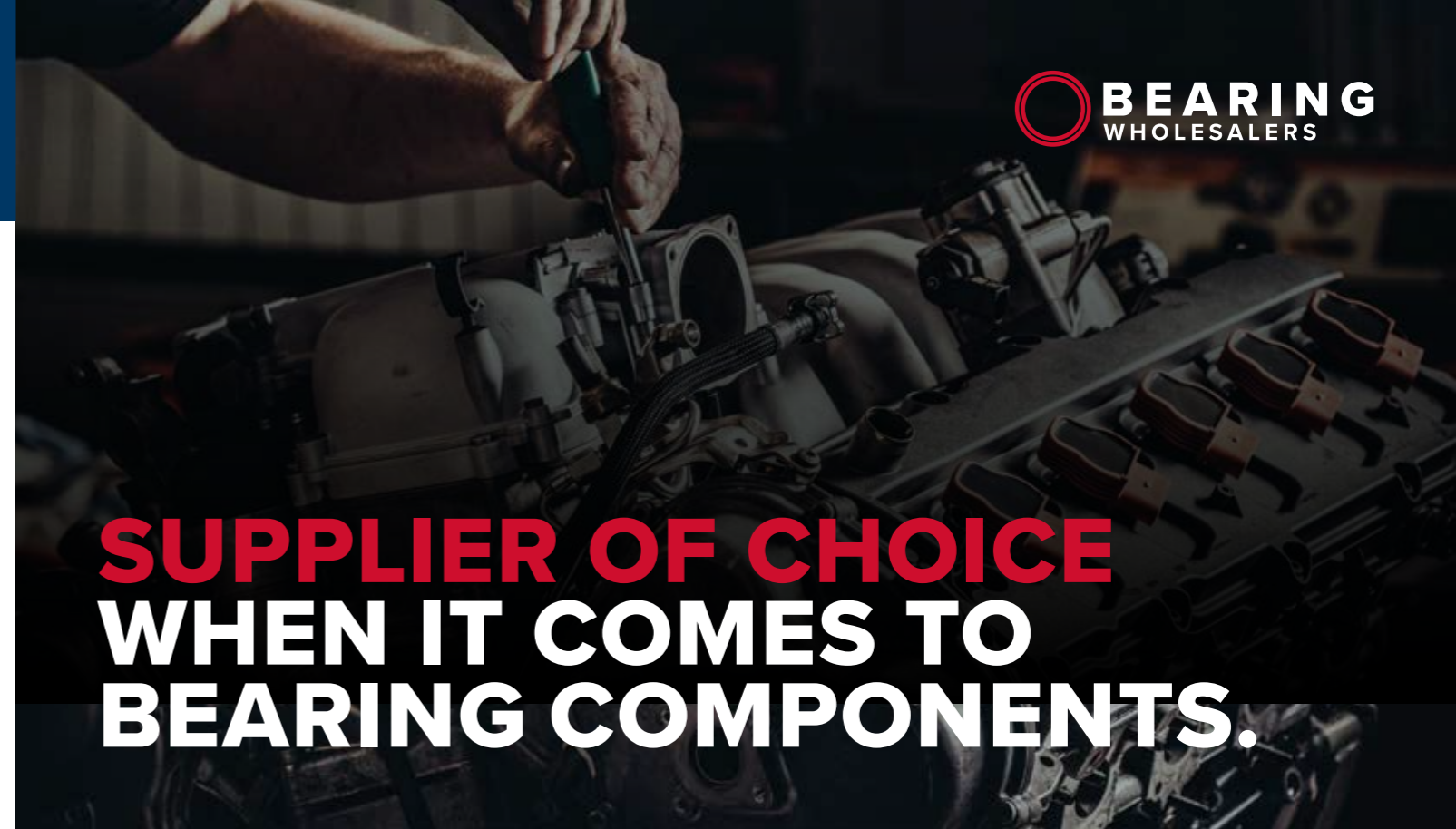
Agricultural	14 - 15
Power Transmission	16 - 17
Lubrication	20
Safety	26 - 27



Bearing Wholesalers is Australia's leading supplier of automotive bearings and associated products offering an unparalleled range in wheel bearing kits, wheel hubs, oil seals, timing belt kits, timing belts, drive belts, engine pulleys, timing and drive belt tensioners, driveshafts, CV joints, universal joints, centre bearings, rubber couplings, gearbox, transfer case, differential and swivel hub kits, clutch thrust and spigot bearings, power steering kits and many other associated products.

Product quality and market leading range have always been the number one priority for Bearing Wholesalers. Having the ability to hand pick the componentry using over 35 years of experience and assemble products in its own kitting facility in Melbourne has been invaluable from the product quality point of view. Having access and long established relationships with a vast number of suppliers globally, both OE and aftermarket, gives Bearing Wholesalers the leading edge and enables the team to pick the best option for every application ensuring ongoing quality and peace of mind for its customers. These are some of the reasons why Bearing Wholesalers has been the supplier of choice when it comes to the automotive bearing components in Australia.

Bearing Wholesalers also offer complete solutions for domestic trailers and 4WD including popular trailer wheel bearing kits, jockey wheels and various other accessories.



Driveshafts

- Designed to be of equal or better quality than the original equipment fitted to a vehicle
- Extensive range for the Australian and New Zealand Market
- Available in top quality brand BW



CV Joints

- Continuously growing range for Australian market
- All necessary parts required for full replacement
- OEM quality for reliable performance
- Available in top quality brand BW

HUBS

- OE replacement, ABS Compatible
- Coverage for majority of Australian automotive market
- High quality for smooth, quiet, and reliable operation



Centre Bearings

- Extensive range for Australian automotive market
- OE quality replacements
- Stabilizes, supports and reduces vibration
- Available in top quality brand BW



Rubber Couplings

- Reduces shock and vibration between rotating shafts
- Supplied with tensile rated fasteners
- Long service life and reliable performance
- Available in top quality brand BW



Oil Seals

- Over 3300 individual sizes available
- OE quality or higher to ensure leak free operation
- Available in various materials including nitrile, silicone and viton to cover a range of applications
- Available in top quality brands LYO, CHO, NAK, NOK



Differential Repair Kits

- Includes OEM branded components to maintain reliability
- Extensive range available for passenger, commercial and 4WD vehicles
- Available in top quality brand BW



Wheel Bearing Kits

- Extensive range to cover classic to modern vehicles
- Components vary to suit individual applications
- Available in top quality brand BW



4x4 Repair Kits

- Extensive range of swivel hub and transfer case repair kits to cover the Australian and New Zealand market
- Available in top quality brand BW



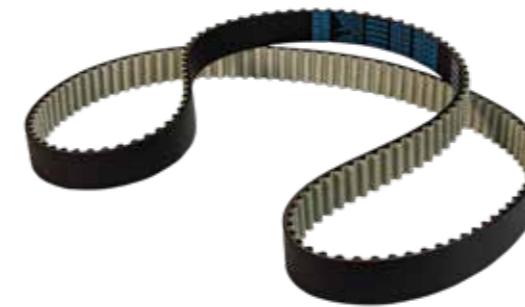
Drive Belts

- Extensive range available for relevant automotive applications
- Provides power to auxiliary engine components such as power steering, water pumps and A/C systems
- Available in top quality brands Dayco, Gates, Optibelt



Power Steering Kits

- All required components to reseal and repair power steering pumps
- Extensive range for Australian automotive market
- OE quality to ensure reliable performance for entire service life



Timing Belts

- Constantly growing range to suit Australian market
- Mechanically synchronizes crankshaft with camshaft
- OE quality to ensure safe, reliable performance for entire service life
- Available in top quality brands Dayco, Gates, Optibelt



Universal Joints

- Extensive range covering the Australian and New Zealand automotive and 4WD market
- Provides transmission of rotary motion between shafts at differing angles
- OE quality to ensure performance and reliability
- Available in top quality brand Toyo



Mechanical and Hydraulic Tensioners

- Keeps tension on belt and removes slack to prevent slipping or misalignment issues during operation
- Extensive range for Australian market
- OE brands to ensure safe and reliable operation
- Available in top quality brands INA, NSK, Jtekt (Koyo), GMB



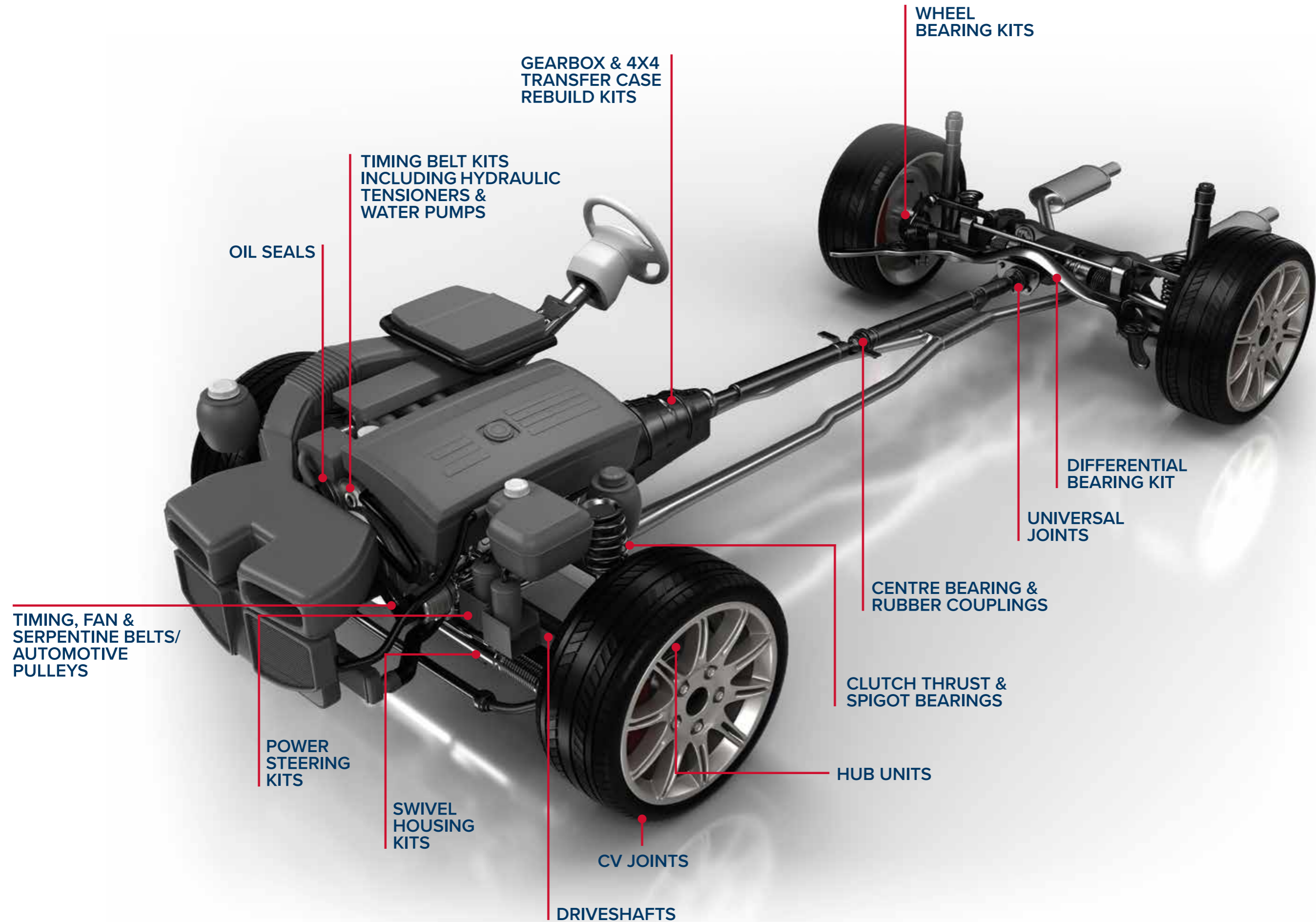
Idlers and Pulleys

- Sources from leading aftermarket and OE manufacturers
- Provides running surface for belt to idle on and allows belt to be routed around components where needed
- Large range for the Australian automotive market
- Available in top quality brand BW

TIMING BELT KITS

- Includes all required components such as tensioners and pulleys for timing belt service
- Extensive range for Australian automotive market
- OE quality to ensure reliable performance for entire service interval





OIL SEALS

TIMING BELT KITS
INCLUDING HYDRAULIC
TENSIONERS &
WATER PUMPS

GEARBOX & 4X4
TRANSFER CASE
REBUILD KITS

WHEEL
BEARING KITS

DIFFERENTIAL
BEARING KIT

UNIVERSAL
JOINTS

CENTRE BEARING &
RUBBER COUPLINGS

CLUTCH THRUST &
SPIGOT BEARINGS

HUB UNITS

CV JOINTS

DRIVESHAFTS

SWIVEL
HOUSING
KITS

POWER
STEERING
KITS

TIMING, FAN &
SERPENTINE BELTS/
AUTOMOTIVE
PULLEYS



Trailer Plugs

- Provides easy connection for trailer and vehicle wiring
- Large range of trailer plugs available in flat and round styles in both male and female form
- Top quality to ensure safe and reliable connection and disconnection



Wheel Bearing Kits

- Extensive range of wheel bearing kits for all common trailer applications including marine applications
- Comes with bearings, seals, and split pins
- Reduces friction in trailer hub and provides protection against contamination
- Available in top quality brand BW



Tow Balls and Couplings

- Full range of tow balls and couplings to suit majority of Australian trailers
- Provides secure mechanical connection between trailer and tow vehicle
- High quality to ensure corrosion resistance and safe operation



Jockey Wheels

- Broad range of trailer jockey wheels including pneumatic and solid wheel options in various sizes
- Available in clamp and swing away style in various load ratings
- Enables manual positioning of trailer while supporting draw bar



U-bolts

- Extensive range of sizes, available in both U and square bolt shapes
- Provides a secure method of fastening axle and leaf springs trailers
- High tensile to eliminate bolt stretch



Bearing Buddies

- Greaseable trailer hub protection
- Protects trailer hub bearings from water ingress and outside elements
- Improves life span of trailer bearings
- Available in top quality brand BW



Axles

- Wide range of axles including stub axles and solid axles for most trailer applications and available in round and square form
- High quality to reduce need for maintenance and repair
- Supplied with axle nut and washer



Oil and Grease Seals

- Essential to maintaining operating condition of trailer bearings
- Prevents contaminants from entering bearings, ensuring long service life
- Top quality to ensure safe and reliable operation
- Domestic and marine applications available



Grease Caps

- Large range to suit common trailer hubs
- Prevents contaminants from entering bearing housing
- Galvanized finish to reduce corrosion



Hubs

- Extensive range to cover common applications including Holden, Ford and Toyota
- Can also be supplied with appropriate bearings for the application
- Available in galvanised and painted finishes
- Available in top quality brand BW



Springs

- Suits the most standard and boat trailer applications
- Reduces vibration and shock, assists in load distribution, and improves trailer handling
- Top quality to suit Australian road conditions



Lights and Reflectors

- Large range of LED lighting and reflectors
- Top quality to ensure long life and reliable performance
- Legal requirement for all Australian road trailers



Agricultural equipment and machinery such as combines, sprayers, planters, balers and many more are the backbone of farming in Australia. Everyday foods and products in Australia depend heavily on agricultural machines and equipment, and as such, reliability and performance are essential.

Bearing Wholesalers' firmly established relationships with top tier manufacturers allows them access to the highest quality products to ensure agricultural equipment can continue to operate safely and reliably.

Top quality brands include Timken, LDK, RHP, KSM, FBJ, NSK and Jtekt (Koyo).

HIGHEST QUALITY PRODUCTS TO ENSURE AGRICULTURAL EQUIPMENT CAN CONTINUE TO OPERATE SAFELY AND RELIABLY.



Disc Plough Bearings

- Designed for harsh operating conditions
- Large range of sizes available in multiple bore shapes



Flange Mount Bearings

- Provides mounting options for desired bearings
- Extensive range of styles and sizes to suit the required application



Self-Aligning Ball Bearings

- Designed with spherical raceways to accommodate shaft angle misalignment
- Over 100 sizes available



Agricultural Idlers

- Available for both chain and belt applications
- Allows for idling of chain or belt for various applications





Power transmission products provide a method of transferring power or drive between components. Bearing Wholesalers range of power transmission products include sprockets, pulleys, weld-on hubs, belts, and chain.

With an extensive range of power transmission products, Bearing Wholesalers will be able to assist with a product for almost all applications.



Sprockets and Pulleys

- Extensive range available in pilot or taperlock bores
- Heat treated range of sprockets to reduce wear and prolong operating life
- V-belt pulleys for universal application



Weld-on Hubs

- Large range of sizes and tapers available
- Produced in low carbon steel for compatibility with welding
- Drilled, tapped, and bored to suit most taper lock bushings



Drive Belts

- Large range of universal belts and pulleys to suit universal applications
- Available in extensive range of lengths, widths, and depths
- Available in top quality brands Dayco, Gates and Optibelt



Chain

- Large range of chain for universal applications
- Full range of joiners and connectors
- High quality to reduce wear and extend life cycle
- Also available for Agricultural

**EXTENSIVE RANGE OF
TOP QUALITY BRANDS
TO REDUCE WEAR &
TEAR AND EXTEND
LIFE CYCLE.**

PREMIUM PAINT & PANEL PRODUCTS



- Extensive range of paint and panel products
- Spray paint, marking paint, primer, clear coat, rust proofing, body deadener, car filler and more
- Top quality products from leading brands such as Septone



INDUSTRIAL SUPPLIES & CONSUMABLES



Consumables are a constant requirement for many industries and businesses. Partnering with local and global manufacturers, Bearing Wholesalers has broad range of consumables for almost any application.

Catering to both DIY-er and trade professional, Bearing Wholesalers stocks a large range of consumables to suit a multitude of needs.



Industrial Rods and Bushes

- Large selection of bushing and round stock
- Various sizes available
- Materials available in nylon, bronze, copper, and steel



Shim Stock

- Full range of shim material to suit all applications
- Available in assortment packs and rollst
- Various materials available including brass, steel and stainless steel



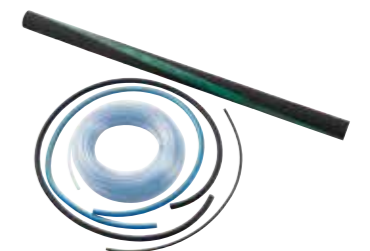
Keysteel

- Essential for gears, sprockets, and pulleys to shafts
- Metric and Imperial sizes available
- Zinc plated for corrosion resistance



Gasket

- Full range of gasket materials for creating gaskets
- Rubber, paper and cork
- Available in various sizes



Hoses

- Large range of hose to suit many applications
- Fuel, Heater, Vacuum and Nylon hose available in custom sizes and rolls



Castor Wheels

- Large range of sizes available to suit most applications
- Available in braked, rigid and swivel variations
- High quality galvanised finish to prevent corrosion



Oil

- Large range of oils to suit industrial applications
- Hydraulic oil, castor oil, air tool oil, additives and more
- Quality product ensures smooth and reliable performance
- Available in top quality brands BW, Peak, Trittech and Castrol



Grease

- Large range of greases and lubrication tools/applicators for all applications
- Rubber grease, lithium grease, copper grease, antiseize and more
- Available in tubs, tubes, and cartridges
- Available in top quality brands BW, Inox and Timken



Lubrication Equipment

- Large range of grease and lubrication equipment for universal application
- Grease guns, grease packers, oil cans, grease gun nozzles and more
- Available in top quality brands Macnaught and Alemlube



Anti-seize

- High quality selection of anti-seize lubricants for many applications
- Prevents rust, corrosion and seizing of parts
- Available in top quality brands Loctite and Permatex



Food Grade Lubricants

- Extensive range of food grade lubricants to suit all applications
- Available in sprays, cartridges, and tubes
- Extensive use of multi-purpose sprays for any application
- Used for endless applications including cleaning, lubricating, penetrating, and maintaining
- Available in top quality brands Inox and Rocol



Retaining Pins

- Variety of retaining pins available including lynch pins, split pins, clevis pins and more
- Large range of sizes and finishes available
- High quality to ensure long and reliable service life



Bolts, Screws, Nuts & Washers

- Extensive Range of bolts and screws for almost any application
- Available in metric and imperial thread pitches with high tensile option available
- Large range of styles available such as Flange head, Cup head, Socket head and many more



Circlips

- Extensive range of both external and internal circlips in metric and imperial sizes
- Used to keep components captive while allowing rotation
- Available individually and in kits



Cable Ties and Hose Clamps

- Extensive range of cable ties and hose clamps
- Universal fasteners with endless applications
- Available in singular and multi-pack formats



Brass Fittings

- An assortment of brass fittings including elbows, tees and nipples to suit various applications
- Available in threaded, barbed, valved, and press fit styles



Rivets

- Large range of rivets to suit industrial and automotive applications
- Available in multi packs and bulk formats
- Stainless steel and aluminium available



Epoxies

- Large range including quick dry and 24 hour set
- Clear and metal epoxy available in various strengths
- Available in top quality brands Permatex, Devcon, Loctite and JB Weld



Glues

- Extensive range of glues to suit majority of applications
- Specific application glues available
- Available in top quality brands Loctite and Q-bond



Threadlocker

- Extensive Loctite range of thread lockers, sealants and retaining compounds
- Available in all desired strengths to suit many applications
- Designed to protect threads, and prevent loosening caused by vibration
- Available in top quality brands Loctite and Permatex



Tapes

- Extensive range of applications including electrical tape, duct tape, cloth tape and more
- Available in multipacks or individual rolls
- Available in top quality brands Nitto and Gorilla



Silicones

- Extensive range of silicones and caulking
- Specialist application specific silicones available
- Available in top quality brands Threebond, Sika, Dow Corning and Loctite



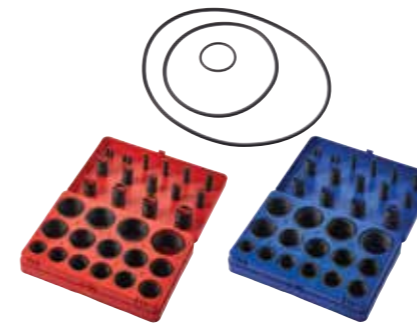
Aerosols

- Universal contact adhesives
- Great for fabrics or large surface area applications
- Available in top quality brand Septone



Cleaning Product

- Bulk buy washing powder
- Perfect for washing cloths, towels, rags, and uniforms
- Great for workshops
- TAvailable in top quality brands Septone and Loctite



O-Rings

- Metric and Imperial sizes
- Available in Nitrile, Silicone and Viton and various hardnesses to suit particular applications
- Available as individuals and in kits



Degreaser

- Extensive range of universal and specialist degreasers
- Removes/breaks down oil, grease, dirt and more
- Available in aerosol and 1 to 200L sizes
- Available in top quality brands Septone BW and Autospec



Truck and Car Wash

- Great for removing grease, grime, oil and soot
- Available in 1L, 5L, 20L and 25L
- Available in top quality brands BW and Chemtech



Chemicals

- Big range of chemicals to suit many applications
- White spirit, methylated spirit, wax and grease removers, acetone, and other solvents
- Available in 1, 5 and 20 litre options

Coolant and Additives

- Large range of coolants, concentrates and additives to suit automotive and industrial applications
- For maintaining and conditioning cooling systems



Rags and Sponges

- Good Selection of sponges and rags for washing and cleaning purposes
- High quality absorbent rags
- Bulk bags available in various sizes

Tools and Abrasives

Including top quality brands such as Sutton Tools, Goliath, Recoil, Flexovit and Jocso



4WD Tools

- Specialty hub removal tools
- Compatible with standard socket drivers
- Designed specifically for Australian 4WD market



Hand Tools

- Complete range of hand tools for all applications
- Available individually and in kits
- Available in top quality brands Chicane, SP Tools and Kincrome



Drill Bits

- Large range for drill bits available to suit timber and metal
- Available individually and in kits
- Available in top quality brands Sutton and P+N brands



Taps, Dies and Thread Repair

- Large range of Taps, Dies and Thread Repair kits
- Metric and imperial available in multiple thread pitches
- Available individually and in kits
- Available in top quality brands Sutton and P+N brands



Cutting and Grinding Discs

- Extensive range of cutting, grinding and sanding discs
- Available in a variety of grits and sizes



Hack Saw Blades

- Large selection of Hacksaw blades in varying styles
- Multiple blade types available to suit all applications
- Available in various TPI (teeth per inch)



Bearing and Specialty Tools

- Large range of bearing tools and specialty equipment
- Bearing and gear pullers/drivers, O-ring gauges and more
- Available individually and as kits



Tool Chests and Trolleys

- Large range of tool storage cabinets and chests
- Top quality to ensure reliable operation and safe storage for tools
- Available in top quality brands Chicane, SP tools and more

HUGE RANGE OF **WELDING** **CONSUMABLES** INCLUDING RODS AND WIRE.

SAFETY & WELDING CONSUMABLES



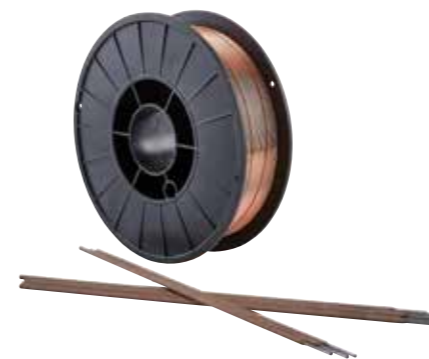
Eye and Face Protection

- Large range of eye and face protection
- Glasses, goggles, face shields and more
- Top quality products to always ensure maximum safety



Ear Protection

- Quality range of ear and hearing protection for all applications
- Disposable and reusable ear plugs, headband earplugs and earmuffs
- Available in top quality brands Pro Choice and more



Welding Consumables

- Large range of welding consumables including rods, filler rod and wire
- Available for all types of welding including ARC, MIG, TIG and oxy acetylene
- Available in top quality brands Sorex and WIA



Respiratory

- Large selection of respiratory protection
- Masks, respirators and replacement filters
- Top quality to ensure short and long-term safety



Gloves

- Extensive range of hand protection for all situations
- Cut resistant, rigging, leather, nitrile, chemical resistant, cotton and more
- Top quality to ensure long product life and max safety
- Available in top quality brands Pro Choice and more



Welding Equipment

- Large selection of quality welding equipment
- Gloves, helmets, brushes, pliers, igniters, and hammers

VIC

Bayswater - Trade

46 Barry Street, Bayswater VIC 3153
P: 03 9762 3255
E: sales@bearingwholesalers.com.au

Dandenong - Trade

84 Cheltenham Rd, Dandenong VIC
P: 03 9794 9772
E: dandenong@bearingwholesalers.com.au

Lilydale - Trade

Fact 8, Cave Hill Rd, Lilydale VIC 3140
P: 03 9739 6077
E: lilydale@bearingwholesalers.com.au

Melton - Trade

8A Holland Dr, Melton VIC 3337
P: 03 9747 9305 - **Trade**
E: melton@bearingwholesalers.com.au

Sunshine - Trade

3/180 Fairbairn Road, West Sunshine VIC 3020
P: 03 9364 9991 - **Trade**
E: sunshine@bearingwholesalers.com.au

Thomastown - Trade

1/42 Brand Dr, Thomastown VIC 3074
P: 03 9466 2377
E: thomastown@bearingwholesalers.com.au

Bayswater - Wholesale

46 Barry Street, Bayswater VIC 3153
P: 03 9761 1777
E: bwr@bearingwholesalers.com.au

QLD

Allied Bearings & Tools Cairns - Trade

149 Aumuller St, Bungalow QLD 4870
P: 07 4051 8088
E: sales@alliedcairns.com.au

Allied Bearings & Tools Townsville - Trade

38 Crocodile Crescent, Mt Saint John QLD 4818
P: 07 4758 9600
E: townsville@alliedcairns.com.au

Brendale - Wholesale

4/7 Griffin Cres, Brendale QLD 4500
P: 07 3265 4144
E: brendale@bearingwholesalers.com.au

NSW

Wetherill Park - Wholesale

79 Newton Rd, Wetherill Park NSW 2164
P: 02 9756 4419
E: wetherillpark@bearingwholesalers.com.au

WA

Cannington - Wholesale

Rear, 1490 Albany Hwy, Cannington WA 6107
P: 08 6272 2400
E: cannington@bearingwholesalers.com.au